

**SAW Resonator 868.350MHz**  
**Part No: MP08571**

**Model: TC0163A**  
**Rev No: 1**

**A. FEATURES:**

One - Port Resonator.

**B. MAXIMUM RATING:**

1. Input Power Level: 0dBm
2. DC voltage: 12V
3. Operating Temperature: -40°C to +85°C
4. Storage Temperature: -40°C to +85°C

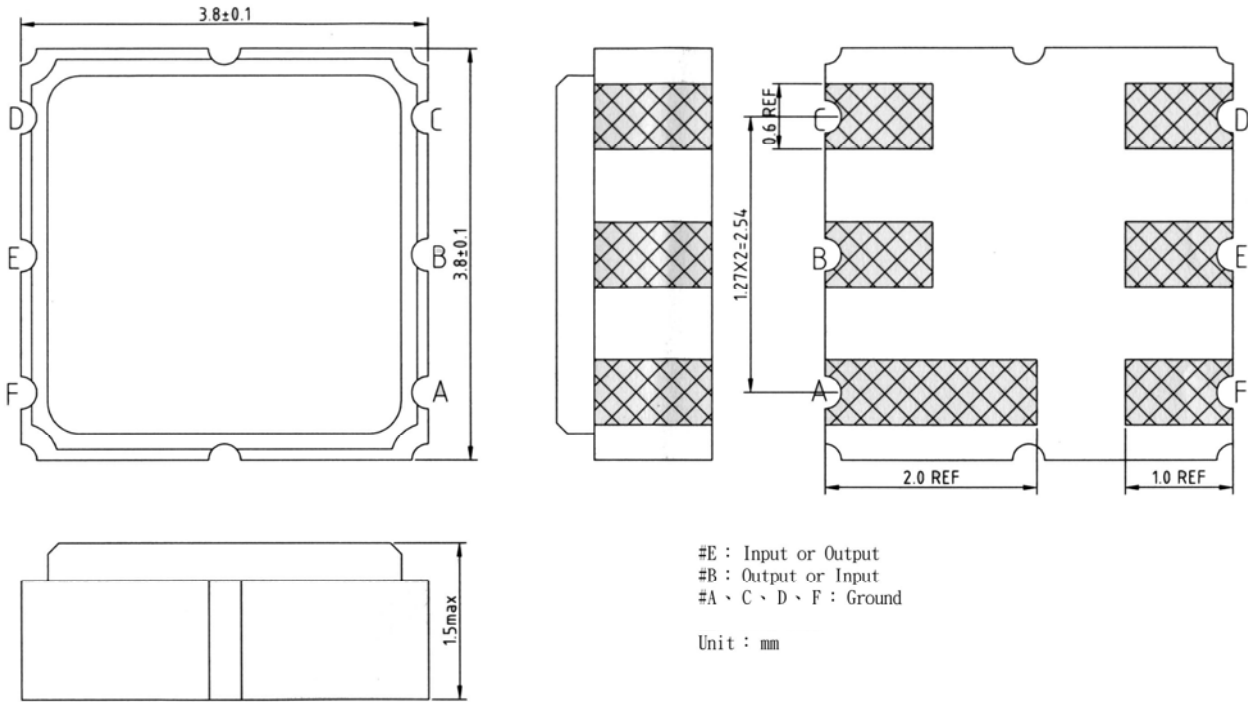
**C. ELECTRICAL CHARACTERISTICS:**

Characteristic	Unit	Min.	Typ.	Max.
Center frequency Fc	MHz	868.275	868.350	868.425
Insertion Loss IL	dB	-	1.3	2.5
Equivalent Elements				
Motional capacitance C1	fF	-	1.21	-
Motional inductance L1	µH	-	27.66	-
Motional resistance R1	Ohm	-	17.92	-
Parallel capacitance Co	pF	-	2.51	-
Temp. coeff.	ppm/c*2	-	0.032	-
Turnover To	deg. C	10	25	40
Package size	SMD 3.8X3.8X1.2mm			

**SAW Resonator 868.350MHz**  
**Part No: MP08571**

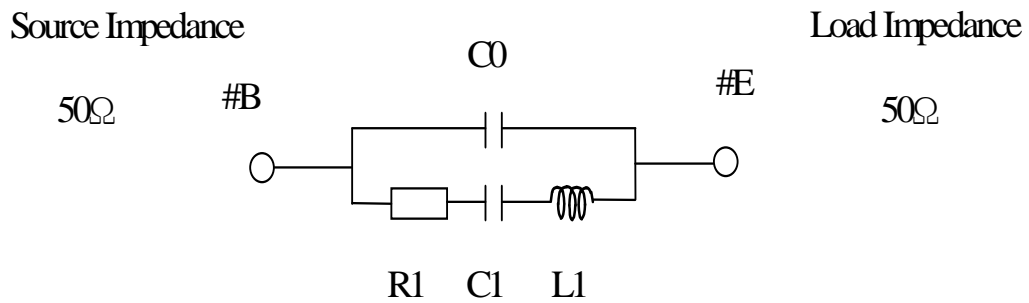
**Model: TC0163A**  
**Rev No: 1**

**D. OUTLINE DRAWING:**



**E. EQUIVALENT CIRCUIT:**

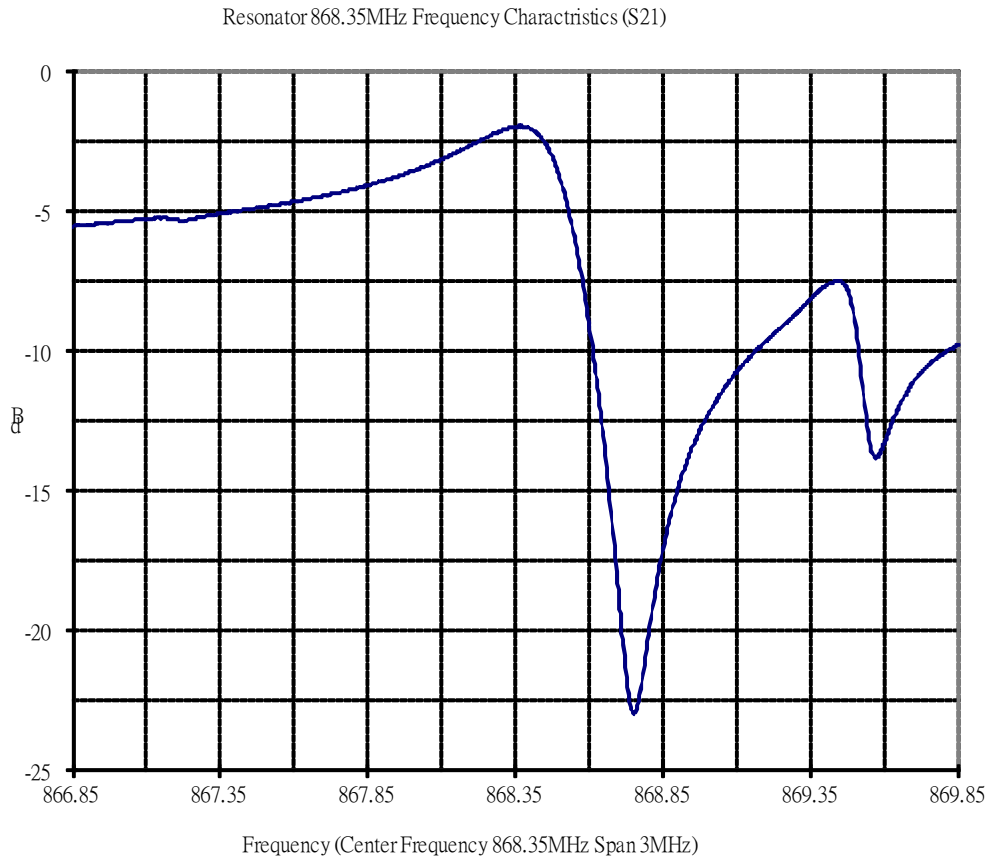
One-Port Resonator:



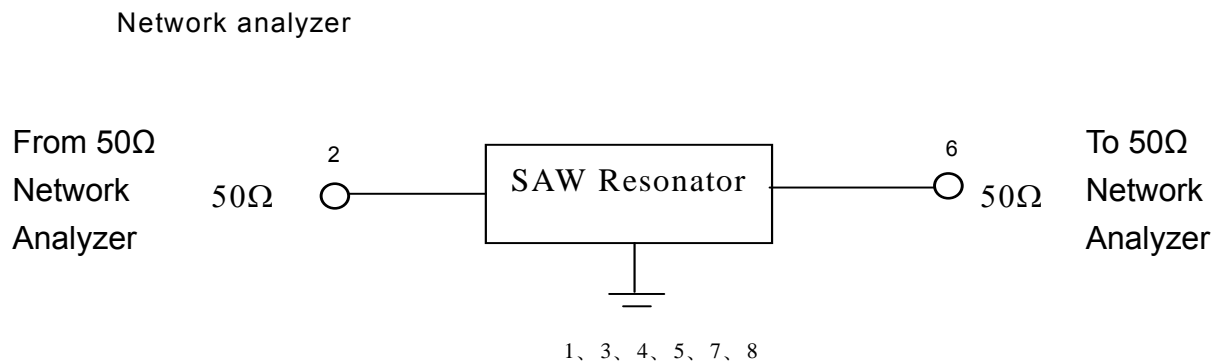
**SAW Resonator 868.350MHz**  
**Part No: MP08571**

**Model: TC0163A**  
**Rev No: 1**

**F. FREQUENCY CHARACTERISTICS:**



**G. TEST CIRCUIT:**

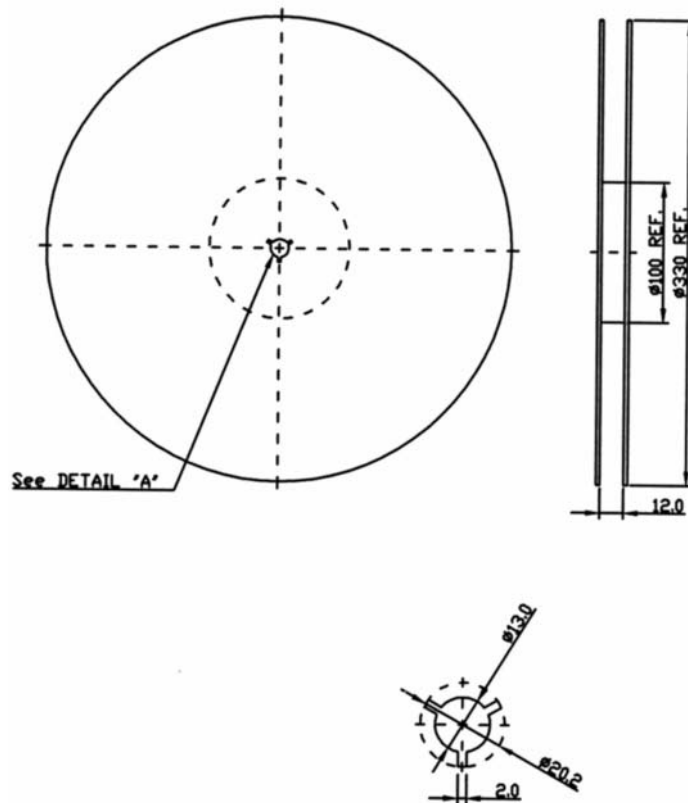


**SAW Resonator 868.350MHz**  
**Part No: MP08571**

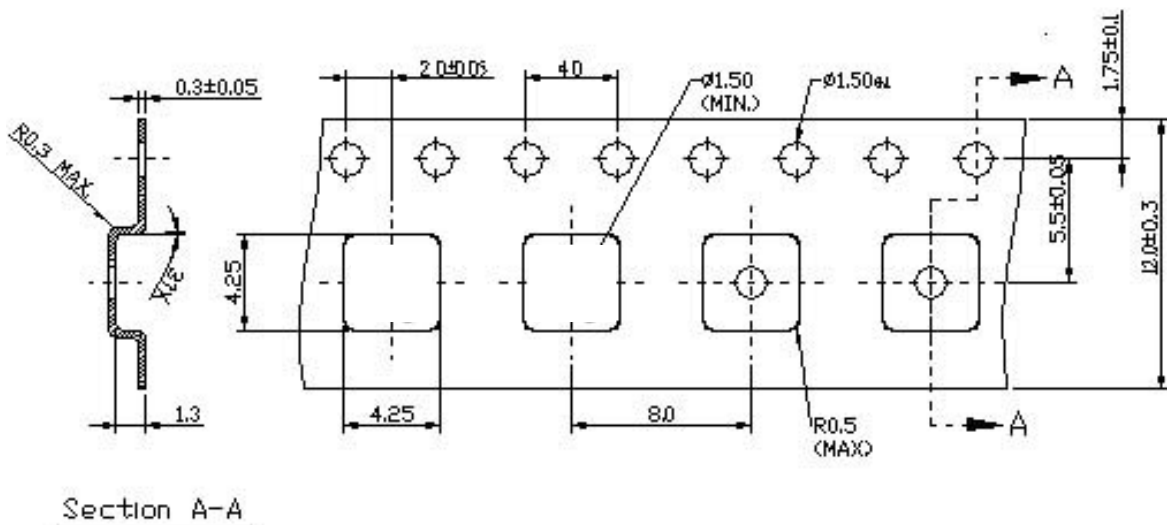
**Model: TC0163A**  
**Rev No: 1**

**H. PACKING:**

1. Reel Dimension



2. Tape Dimension



Section A-A