

SAW Filter 70.0MHz
Part No: MP09059

Model No: TB0195B
Rev No: 1

A. MAXIMUM RATING:

Electrostatic Sensitive Device

1. Input Power Level: 10dBm
2. DC Voltage: 10V
3. Operating Temperature: -30°C to +85°C
4. Storage Temperature: -30°C to +85°C
5. Moisture Sensitivity Level: Level1 (MSL1)

B. ELECTRICAL CHARACTERISTICS:

Item	Unit	Min.	Typ.	Max.	Note
Center frequency Fc	MHz	-	70	-	-
Insertion Loss IL	dB	-	7.7	9.5	-
1dB Bandwidth	MHz	2.40	3.02	-	-
3dB Bandwidth	MHz	-	3.72	-	-
40dB Bandwidth	MHz		6.10	6.80	-
Amplitude Ripple within Fc ±1MHz	dB	-	0.3	1.0	-
Group Delay Ripple within Fc ±1MHz	nsec		60	150	-
Absolute Delay	µsec	-	1.05	-	-
Attenuation (Reference level from Min IL)					
Ultimate Rejection	dB	40	45	-	-
Temperature Coefficient	ppm/°C	-	-86	-	-

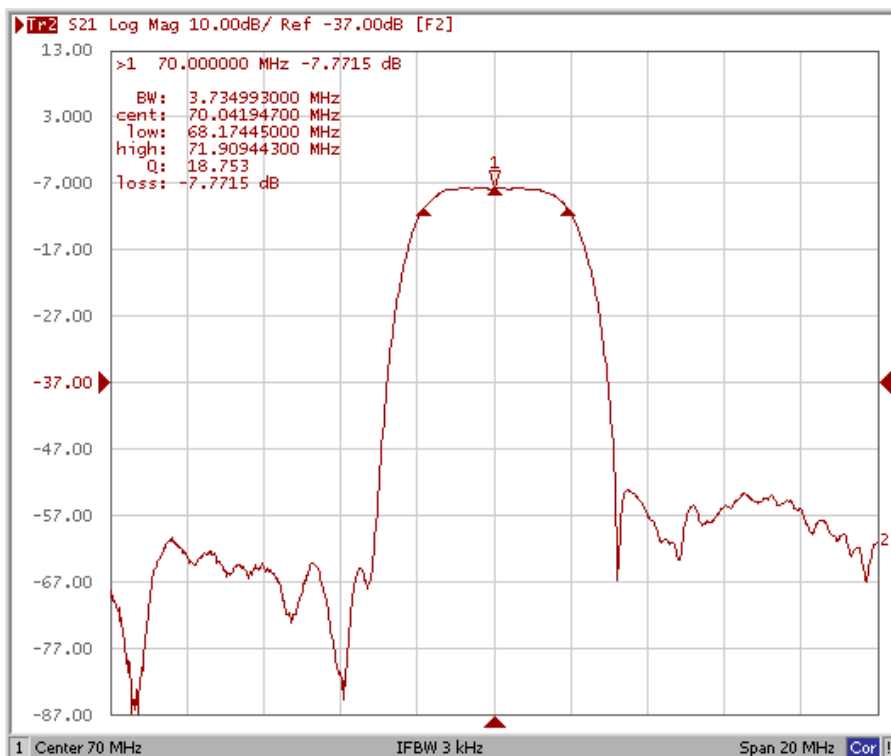
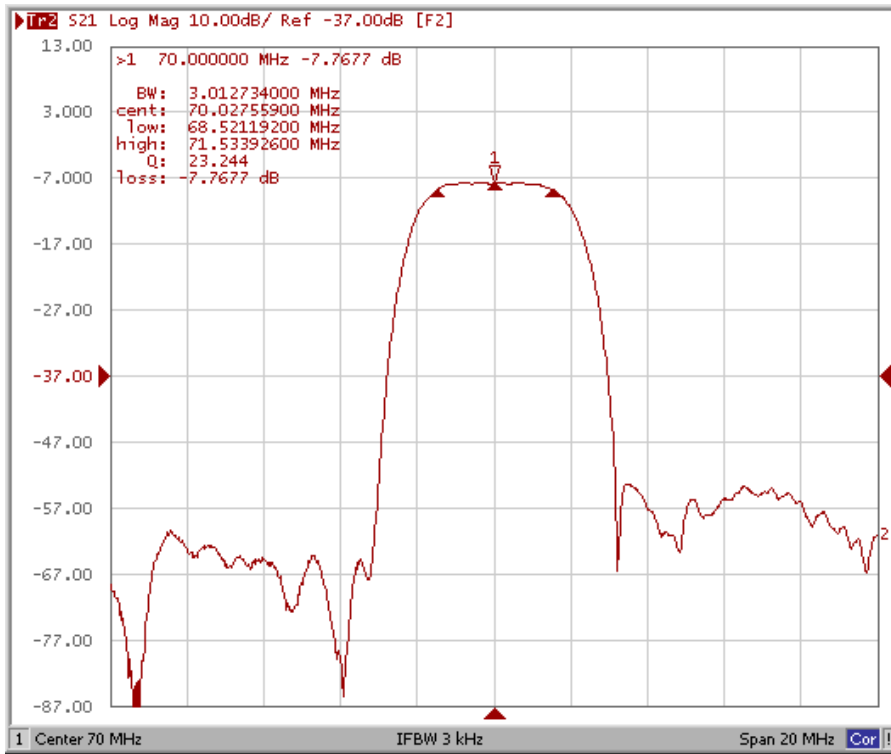
SAW Filter 70.0MHz
Part No: MP09059

Model No: TB0195B
Rev No: 1

C.FREQUENCY CHARACTERISTICS:

Bandwidth at -1.0dB

Bandwidth at -3.0dB

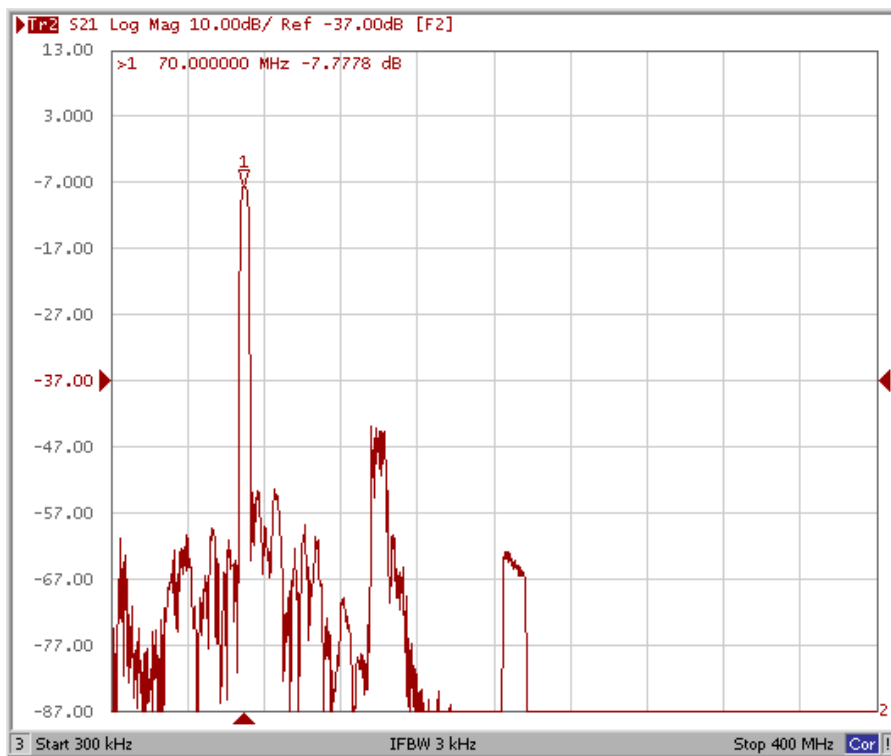
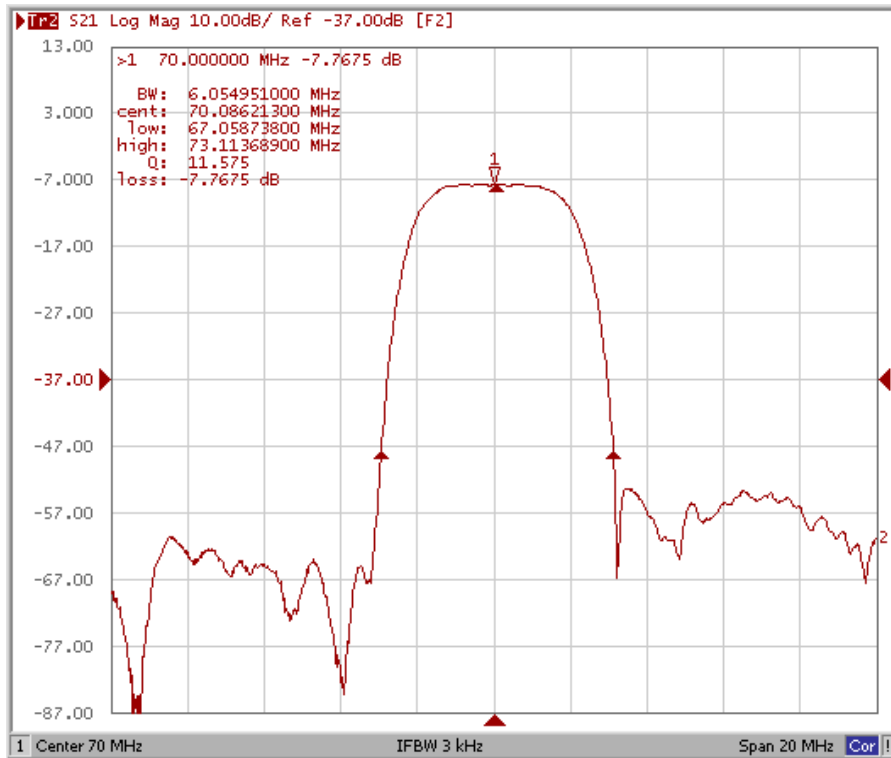


SAW Filter 70.0MHz
Part No: MP09059

Model No: TB0195B
Rev No: 1

Bandwidth at -40 dB

Wide Band

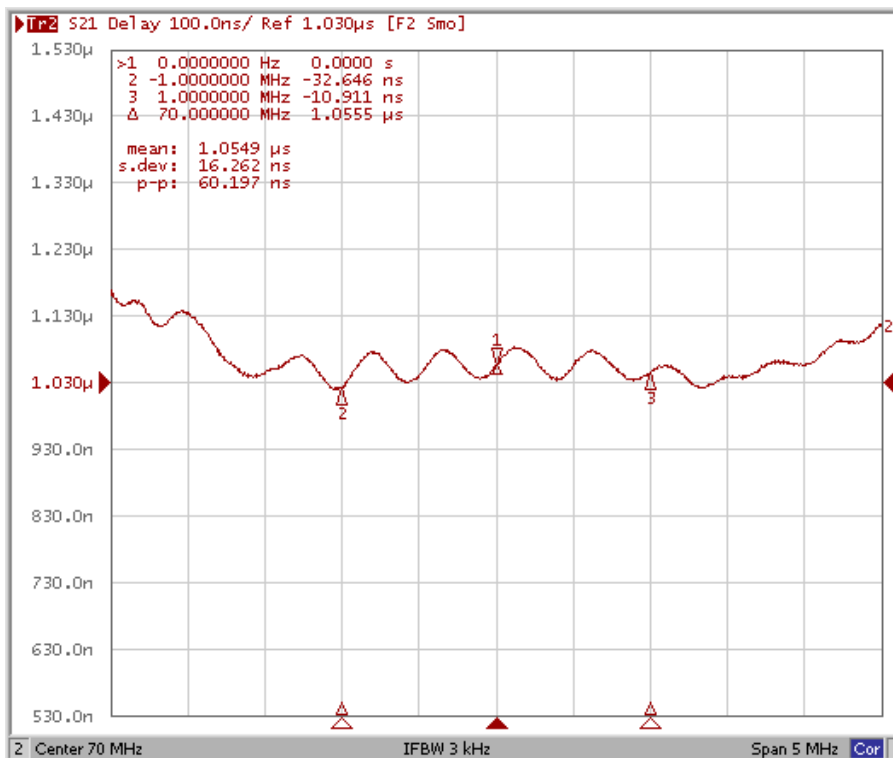
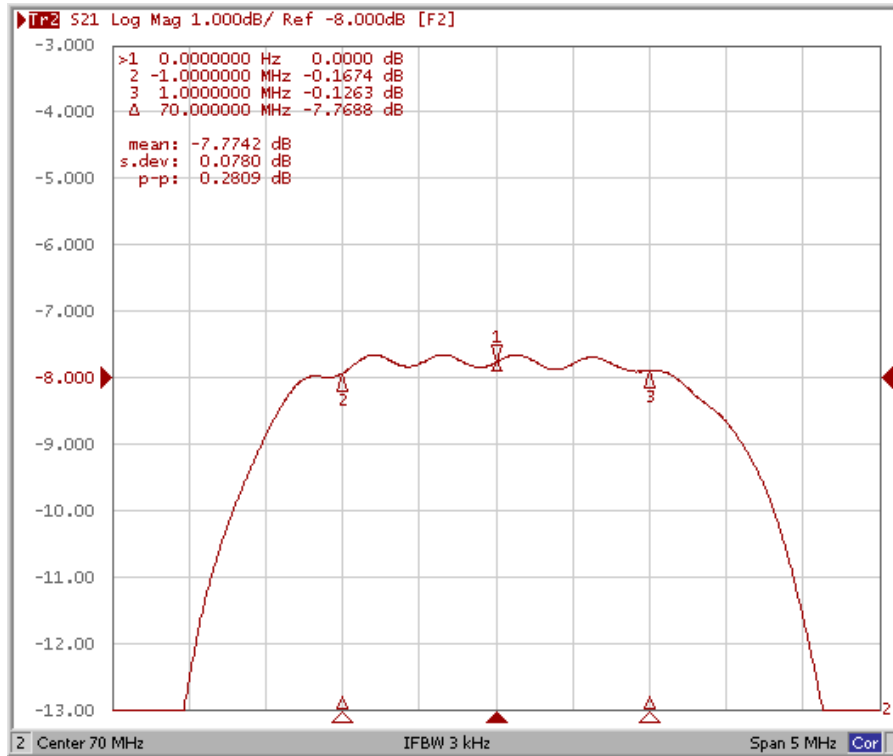


SAW Filter 70.0MHz
Part No: MP09059

Model No: TB0195B
Rev No: 1

Ripple Variation Fo ±1.0MHz

Group Delay Variation Fo ±1.0MHz

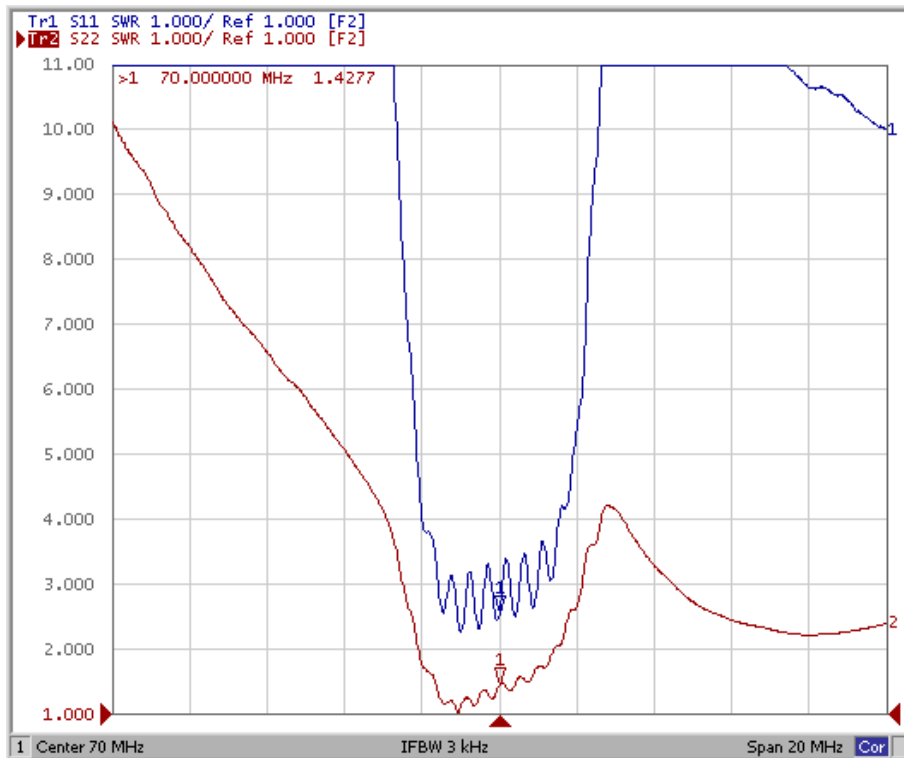
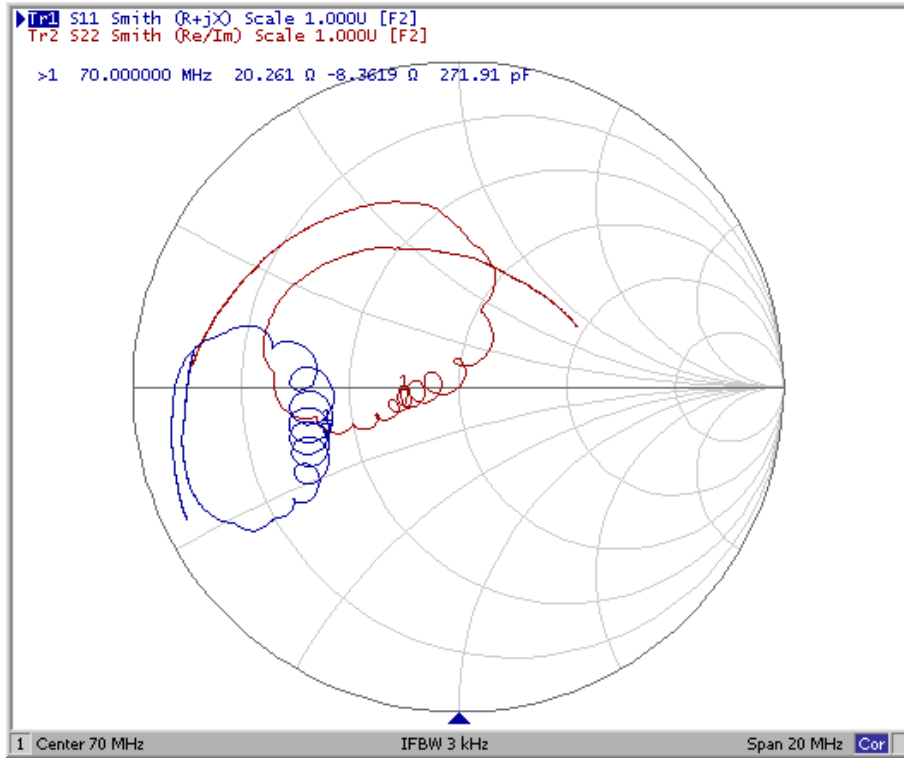


SAW Filter 70.0MHz
Part No: MP09059

Model No: TB0195B
Rev No: 1

Smith Chart

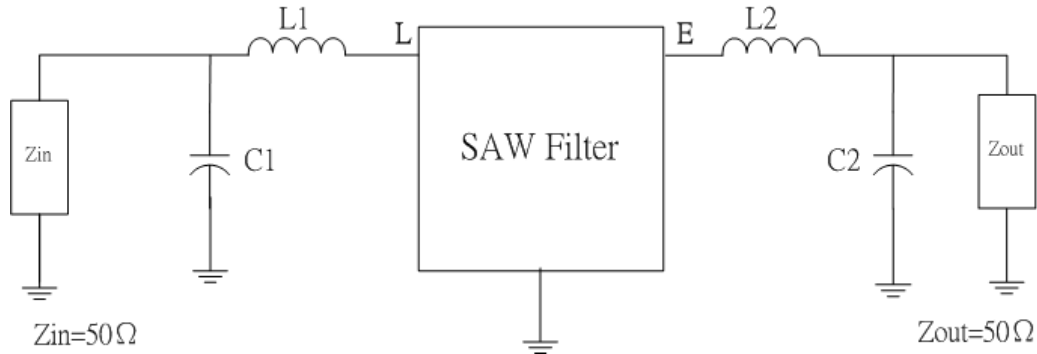
VSWR



SAW Filter 70.0MHz
Part No: MP09059

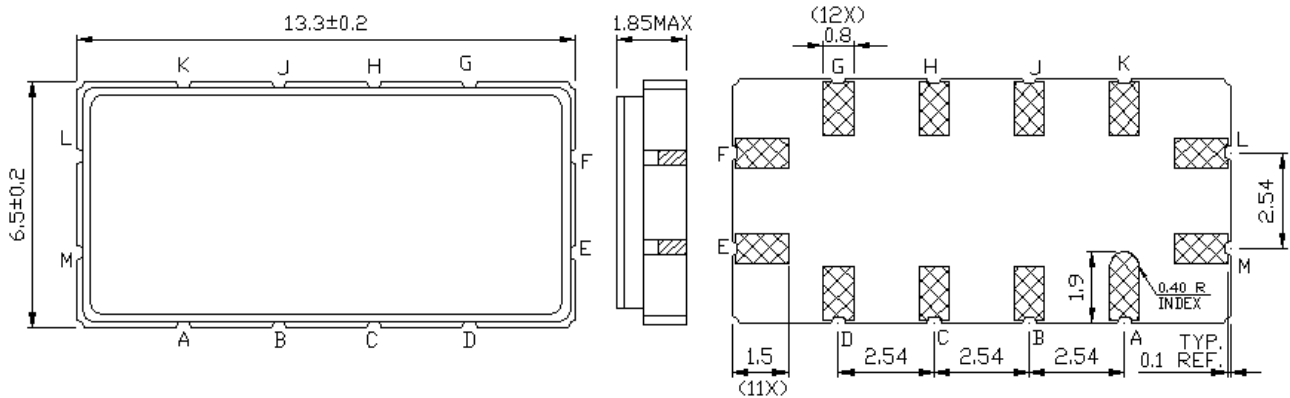
Model No: TB0195B
Rev No: 1

D. MEASUREMENT CIRCUIT:



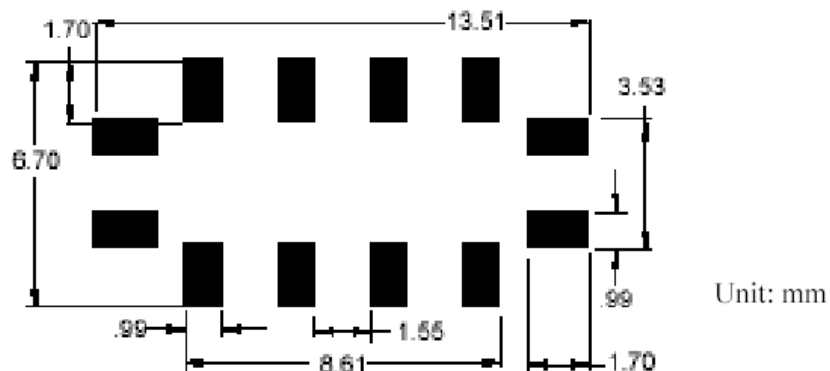
$L1 = 82\text{Nh}$, $L2 = 120\text{nH}$, $C1 = 47\text{pF}$, $C2 = 62\text{pF}$

E. OUTLINE DRAWING:



L: RF Input
 E: RF Output
 Others: To be Ground
 Unit: mm

F. PCB FOOTPRINT:



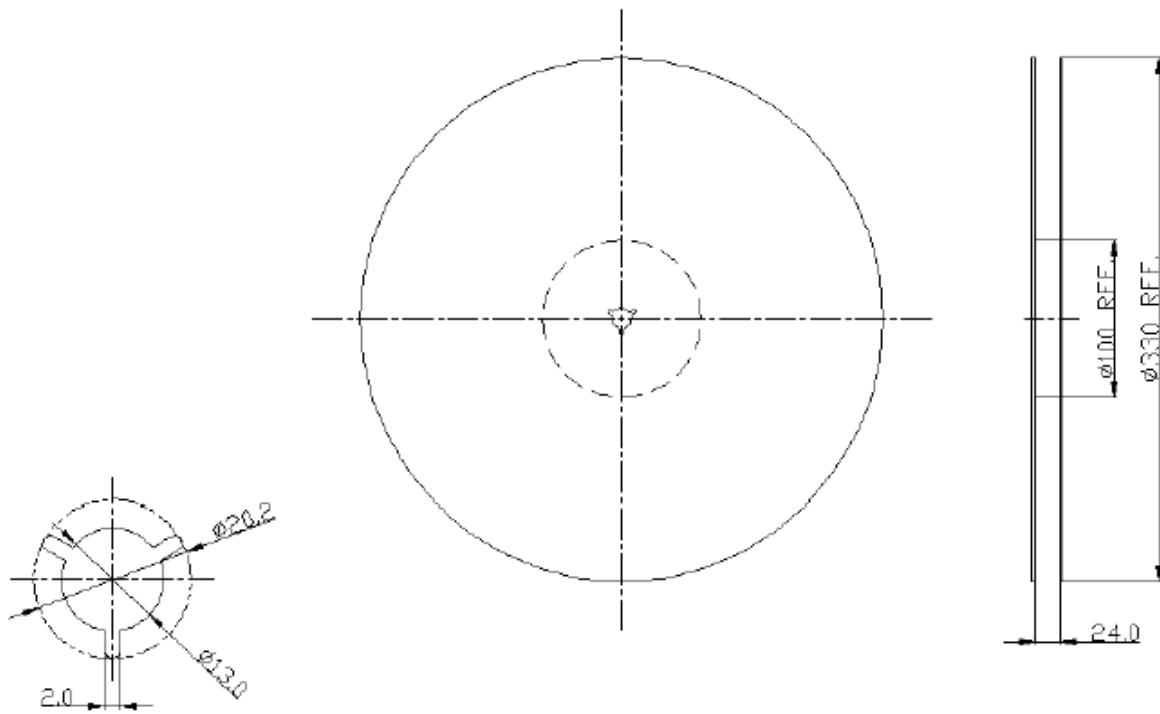
Unit: mm

SAW Filter 70.0MHz
Part No: MP09059

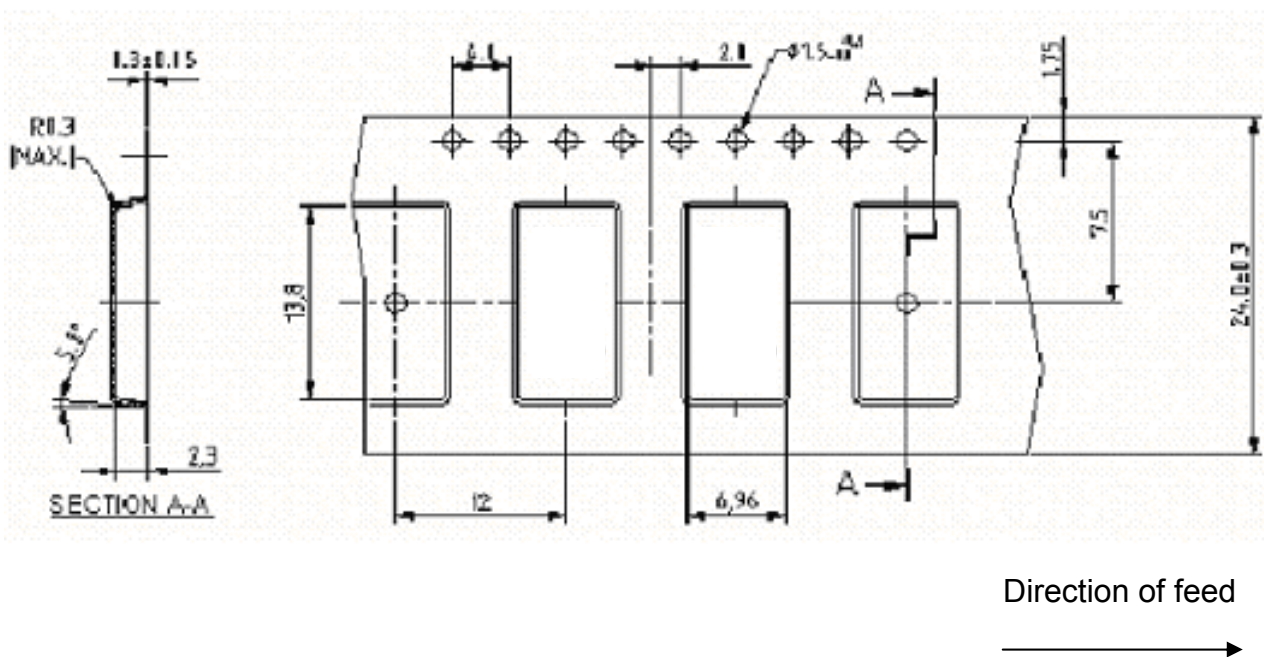
Model No: TB0195B
Rev No: 1

G. PACKING:

1. Reel Dimension



2. Tape Dimension



SAW Filter 70.0MHz
Part No: MP09059

Model No: TB0195B
Rev No: 1

H. RECOMMENDED REFLOW PROFILE:

1. Preheating shall be fixed at 150 ~ 180°C for 60 ~ 90 seconds.
2. Ascending time to preheating temperature 150°C shall be 30 seconds min.
3. Heating shall be fixed at 220°C for 50 ~ 80 seconds and at 260°C +0/-5°C peak (20 ~ 40 sec).
4. Time: 2 times.

