

**804.681MHz SAW Resonator**  
**Part No: MP02094**

**Model: TC0177A**  
**REV NO.: 3**

**A. FEATURES:**

- 1-Port Resonator.

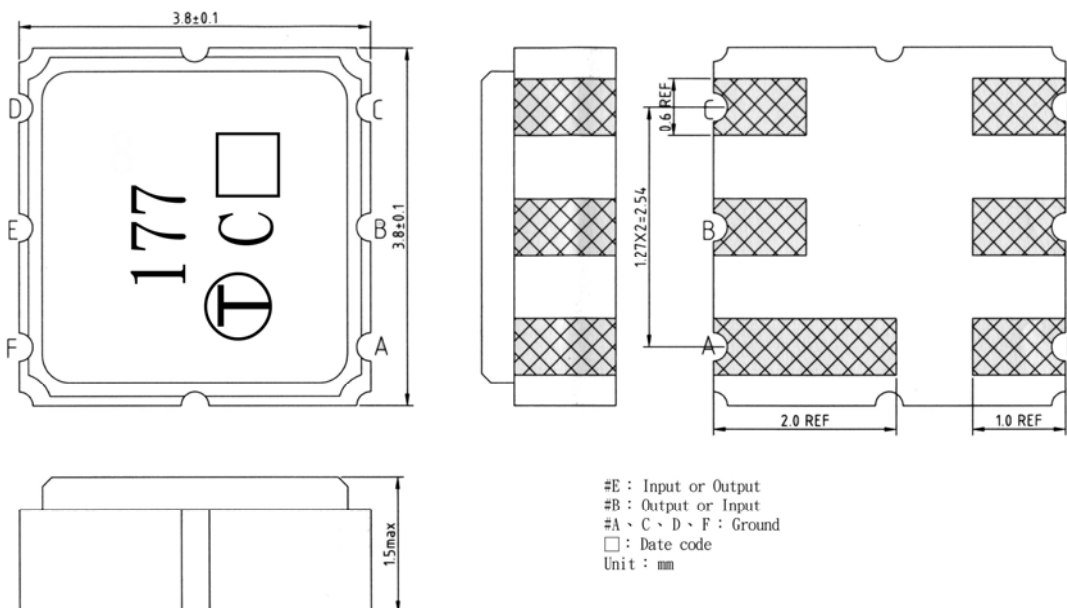
**B. MAXIMUM RATING:**

- 1.Input Power Level: 0 dBm
- 2.DC voltage: 12 V
- 3.Operating Temperature: -40°C to +85°C
- 4.Storage Temperature: -40°C to +85°C

**C. ELECTRICAL CHARACTERISTICS:**

Characteristic	Units	Minimum	Typical	Maximum
Center frequency Fr	MHz	804.556	804.681	804.806
Insertion Loss IL	dB	-	1.5	2.5
Equivalent Elements				
Motional capacitance C1	fF	-	1.73	-
Motional inductance L1	μH	-	22.6	-
Motional resistance R1	Ohm	-	14.1	33
Parallel capacitance Co	pF	-	2.85	-
Temp.coeff.	ppm/c*2	-	0.032	-
Turnover To	deg.C	20	-	50
Package size		SMD 3.8X3.8X1.4mm		

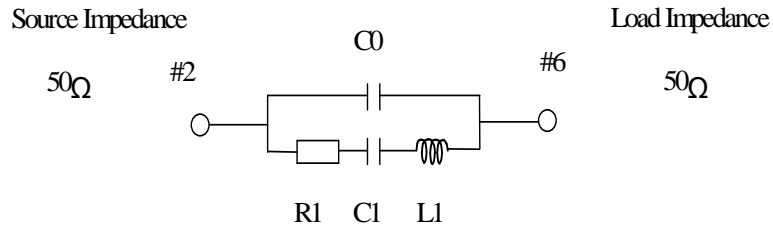
**D. OUTLINE DRAWING:**



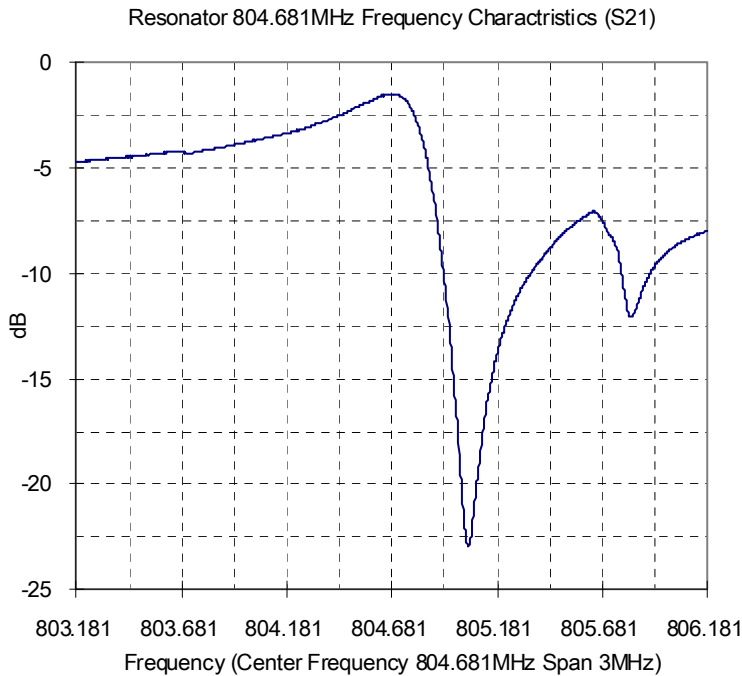
**804.681MHz SAW Resonator**  
**Part No: MP02094**

**Model: TC0177A**  
**REV NO.: 3**

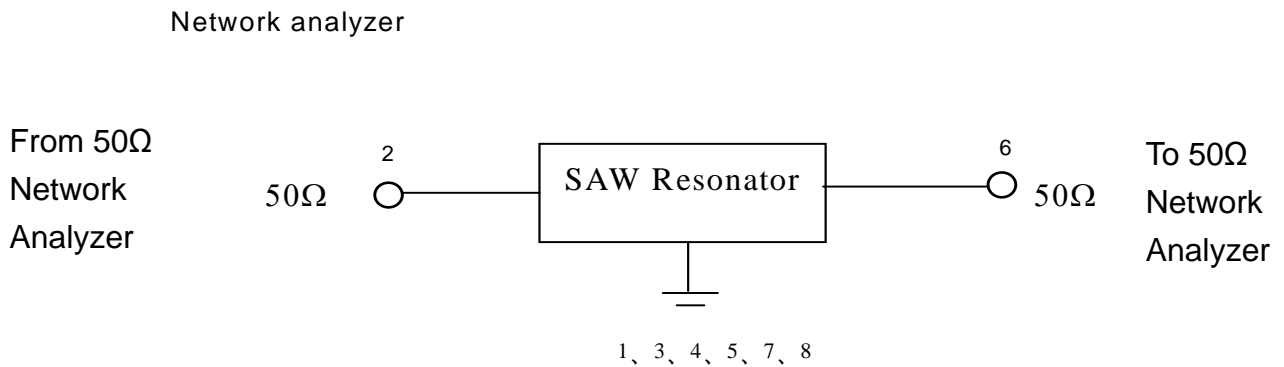
**E. EQUIVALENT CIRCUIT:**



**F. FREQUENCY CHARACTERISTICS:**



**G. TEST CIRCUIT:**

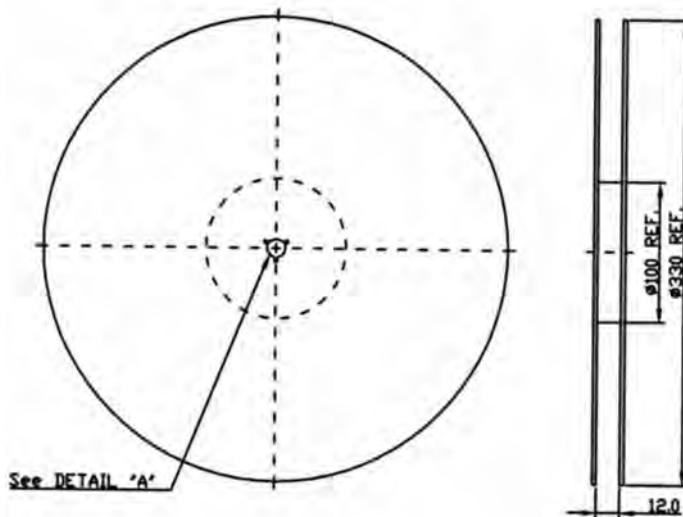


**804.681MHz SAW Resonator**  
Part No: **MP02094**

Model: **TC0177A**  
REV NO.: 3

**H. PACKING:**

1. REEL DIMENSION



2. TAPE DIMENSION

